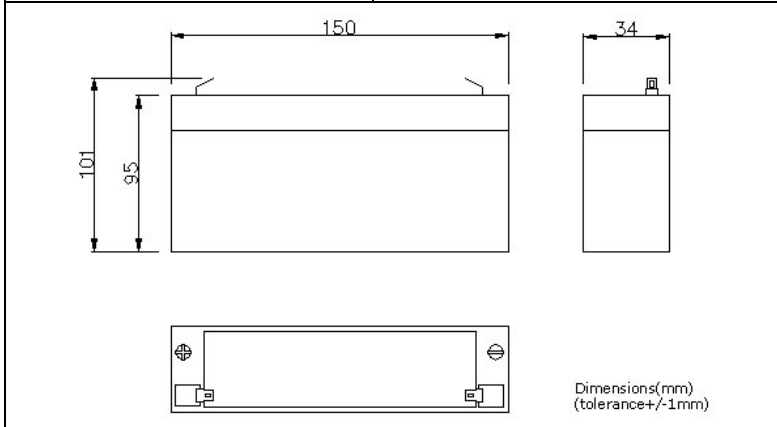




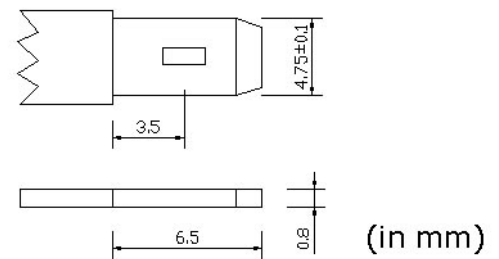
NP7-6(6V7Ah)

PHYSICAL SPECIFICATION

Nominal Voltage Nominal Capacity (20HR)		6V 7Ah
Dimension	Length	150±1mm (5.91 inches)
	Width	34±1mm (1.34 inches)
	Container Height	95±1mm (3.74 inches)
	Total Height	101±1mm (3.98 inches)
Weight		Approx. 1.12Kg (2.47lbs)
Standard Terminal		Fasten Tab No.187E



F1(Fasten Tab No.187E)
Standard Terminal



ELECTRICAL SPECIFICATION

Characteristics		
Capacity	20 hour rate (0.35A)	7Ah
	10 hour rate (0.63A)	6.6Ah
	5 hour rate (1.19A)	6Ah
	3 hour rate (1.75A)	5.3Ah
	1hour rate (4.2A)	4.2Ah
Capacity affected by temperature	40°C (104 °F)	102%
	25°C (77 °F)	100%
	0°C (32 °F)	85%
Internal Resistance		Full charged battery (25°C,77 °F) 15m Ω
Constant Voltage Charge	Cycle	Initial Charging Current less than 2.1A Voltage 7.20~7.50V at 25°C (77 °F) Temperature Coefficient -15mV/°C
	Standby	No limit on Initial Charging Current Voltage 6.75~6.90V at 25°C (77 °F) Temperature Coefficient -10mV/°C

Discharge curves @ 25°C (77 ° F)

