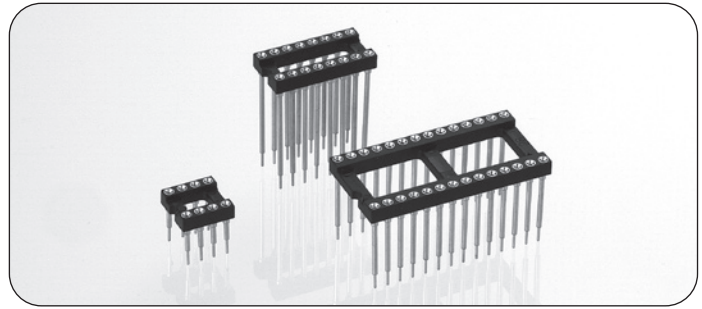


For mechanical and electrical interconnection, PCB stacking or elevated positioning of display modules

Technical Specs:

Insulator: Black glass filled polyester PBT-GF30-FR
 Flammability: UL 94V-O
 Sleeve: Brass CuZn36Pb3 (C36000)
 Contact clip (4 finger): Beryllium copper (C17200)
 Accepted pin Ø: 0.40 to 0.56 mm
 Forces: (polished steel gauge Ø 0.43 mm)
 – Insertion: 2 N typ.
 – Withdrawal: 1 N typ.
 Mechanical life: min 100 cycles
 Rated current: 1 A
 Contact resistance: max 10 mΩ
 Dielectric strength: min 1000 V_{RMS}

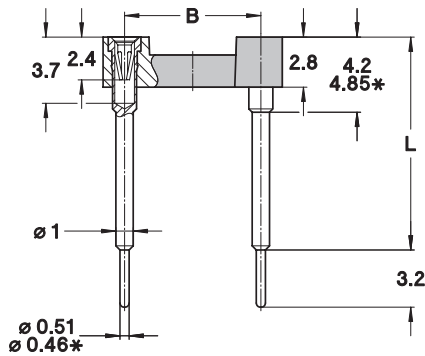


Ordering information

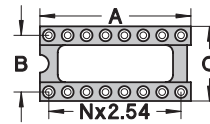
PP Plating code	Sleeve	Clip
97	Tin	Gold flash
91	Tin	Gold 0.25 µm
93	Tin	Gold 0.75 µm

Other plating on request see page 146 for plating specs

For complete part number replace **XXX** with the code given below left for the required contact length **L**



* Only for contact with L=9



No. of poles	A	B	C	See page 100	Order Codes
10	12.6	5.08	7.6	Fig. 1	116-PP-210-41-XXX001
4	5.0	7.62	10.1	Fig. 2	116-PP-304-41-XXX001
6	7.6	7.62	10.1	Fig. 3	116-PP-306-41-XXX001
8	10.1	7.62	10.1	Fig. 4	116-PP-308-41-XXX001
10	12.6	7.62	10.1	Fig. 5	116-PP-310-41-XXX001
12	15.2	7.62	10.1	Fig. 6	116-PP-312-41-XXX001
14	17.7	7.62	10.1	Fig. 7	116-PP-314-41-XXX001
16	20.3	7.62	10.1	Fig. 8	116-PP-316-41-XXX001
18	22.8	7.62	10.1	Fig. 9	116-PP-318-41-XXX001
20	25.3	7.62	10.1	Fig. 10	116-PP-320-41-XXX001
22	27.8	7.62	10.1	Fig. 11	116-PP-322-41-XXX001
24	30.4	7.62	10.1	Fig. 12	116-PP-324-41-XXX001
28	35.5	7.62	10.1	Fig. 13	116-PP-328-41-XXX001
20	25.4	10.16	12.6	Fig. 14	116-PP-420-41-XXX001
22	27.8	10.16	12.6	Fig. 15	116-PP-422-41-XXX001
24	30.4	10.16	12.6	Fig. 16	116-PP-424-41-XXX001
28	35.5	10.16	12.6	Fig. 17	116-PP-428-41-XXX001
32	40.6	10.16	12.6	Fig. 18	116-PP-432-41-XXX001
10	12.7	15.24	17.7	Fig. 19	116-PP-610-41-XXX001
24	30.5	15.24	17.7	Fig. 20	116-PP-624-41-XXX001
28	35.5	15.24	17.7	Fig. 21	116-PP-628-41-XXX001
32	40.6	15.24	17.7	Fig. 22	116-PP-632-41-XXX001
36	45.7	15.24	17.7	Fig. 23	116-PP-636-41-XXX001
40	50.8	15.24	17.7	Fig. 24	116-PP-640-41-XXX001
42	53.3	15.24	17.7	Fig. 25	116-PP-642-41-XXX001
48	60.9	15.24	17.7	Fig. 26	116-PP-648-41-XXX001
50	63.5	15.24	17.7	Fig. 27	116-PP-650-41-XXX001
52	66.0	15.24	17.7	Fig. 28	116-PP-652-41-XXX001
50	63.5	22.86	25.3	Fig. 29	116-PP-950-41-XXX001
52	66.0	22.86	25.3	Fig. 30	116-PP-952-41-XXX001
64	81.2	22.86	25.3	Fig. 31	116-PP-964-41-XXX001

Available contact length

Contact length L	XXX code
6 mm	006
7 mm	018
8 mm	003
9 mm	012
10 mm	007
11 mm	002
12 mm	008
13 mm	009
15 mm	001
18 mm	011
22 mm	004
33 mm	013

Due to technical progress, all the information provided is subject to change without prior notice

